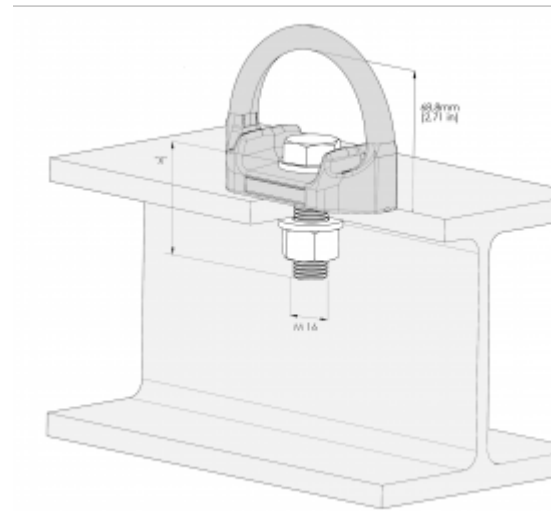


Data sheet

## D-BOLT TYP 48 (AP-063-GE)



### GENERAL

Art. no.: AP-TYP-48  
EAN: 4030281277507

E-class number: 40-02-01-90  
Customs no.: 73269098

## Data sheet

### D-BOLT TYP 48 (AP-063-GE)

The single anchor point TYPE-48 from the D-BOLT series is made of stainless steel and coated yellow. The model is tested according to EN 795/A:2012 and CEN/TS 16415 for a load input of up to three persons. A fastening set consisting of a bolt and nut is already included in the scope of delivery. The statics of the construction must correspond to the expected loads (min. 14 kN).

- Made of stainless steel
- EN 795/A:2012 and CEN/TS 16415
- Load capacity up to three persons

#### GENERAL

Internat. standard:  
RFU PPE-R/11.134 V1:2019

---

#### DIMENSIONS

Weight: 0,93 kg

---